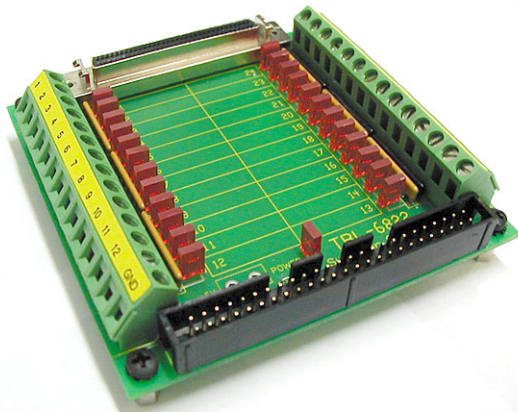


TBL-6822 Screw Terminal Board & Status Indicator



The TBL-6822 Universal Screw Terminal Board has been designed to provide an 'easy to use', yet powerful means, for wiring Digital I/O Signal lines. This board provide a Status Display Led on each Digital Line and a Pull-Up resistor, on each line. These Pull-Up resistors contribute a better determined logic state, that would improve the system's performance at noisy environment.

APPLICATION NOTES

- 68 pin SCSI-II connector was designed to provide most economic PCI based digital I/O solution while combining the TBL-6822 with Advantech PCI-1751 digital PCI card and PW-568011-1 68 pin flat cable.
- The TBL-6822 is capable of handling 24 digital I/O lines out of 48 lines included in the PCI-1751 card, or it can handle 21 leading digital lines #1 to #21 while lines #22 to #24 can be used as counter #0 to #2 CLK inputs.
- Sample programs for PCI-1751 with TBL-6822 can be found on the company Web-Site.

FEATURES

- 68 pin SCSI connector support*
- 50 pin flat cable connector support
- 24 signal lines (Opto-22 format)
- Pull-Up resistors on each line
- Status indicator led on each line
- +5v indicator led
- Screw terminal block

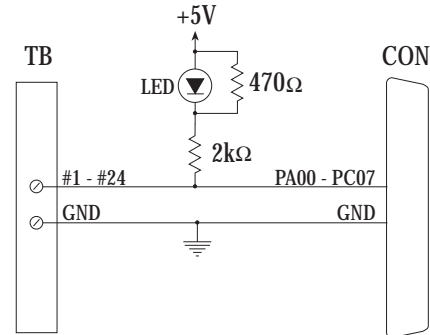
SUPPORTED CARDS

- PCL-722 / 724 / 731
- PCM-3724
- PCI-1751*

APPLICATIONS

- I/O status monitoring
- Device interface wiring board
- Quick test interface
- PC/104 Compatible screw terminal board

WIRING DIAGRAM



PIN LAYOUT

68 Pin Connector

PA00	1	35
PA01	2	36
PA02	3	37
PA03	4	38
PA04	5	39
PA05	6	40
PA06	7	41
PA07	8	42
GND	9	43
PB00	10	44
PB01	11	45
PB02	12	46
PB03	13	47
PB04	14	48
PB05	15	49
PB06	16	50
PB07	17	51
GND	18	52
PC00	19	53
PC01	20	54
PC02	21	55
PC03	22	56
PC04	23	57
PC05/CNT0_CLK	24	58
PC06/CNT1_CLK	25	59
PC07/CNT2_CLK	26	60
GND	27	61
GND	28	62
GND	29	63
GND	30	64
GND	31	65
GND	32	66
GND	33	67
+5V	34	68

50 Pin Connector

PC 7	1	2	
PC 6	3	4	GND
PC 5	5	6	GND
PC 4	7	8	GND
PC 3	9	10	GND
PC 2	11	12	GND
PC 1	13	14	GND
PC 0	15	16	GND
PB 7	17	18	GND
PB 6	19	20	GND
PB 5	21	22	GND
PB 4	23	24	GND
PB 3	25	26	GND
PB 2	27	28	GND
PB 1	29	30	GND
PB 0	31	32	GND
PA 7	33	34	GND
PA 6	35	36	GND
PA 5	37	38	GND
PA 4	39	40	GND
PA 3	41	42	GND
PA 2	43	44	GND
PA 1	45	46	GND
PA 0	47	48	GND
+5V	49	50	GND

ORDERING

- TBL-6822: Screw Terminal Board & Status Indicator
- PCL-10168: 68 Pin SCSI Cable with male connectors
- PW-568011-1: 68 Pin SCSI Flat Cable