

IA-3308-U 8 Relays USB Controlled Module



FEATURES

- § 8 Relays.
- § USB Powered and Controlled.
- § N.C. Output option.
- § Small footprint.
- § Din Rail Mounted.
- § Relay Status LEDs.

INTRODUCTION

The IA-3308-U is a tiny and intelligent 8 relays module, powered and controlled by any USB port.

On up to 2 relays the N.C. contact may be chosen as relays output instead of the N.O. contact, by an internal jumper. The common line is shared between each 2 relays, to ease the wiring efforts.

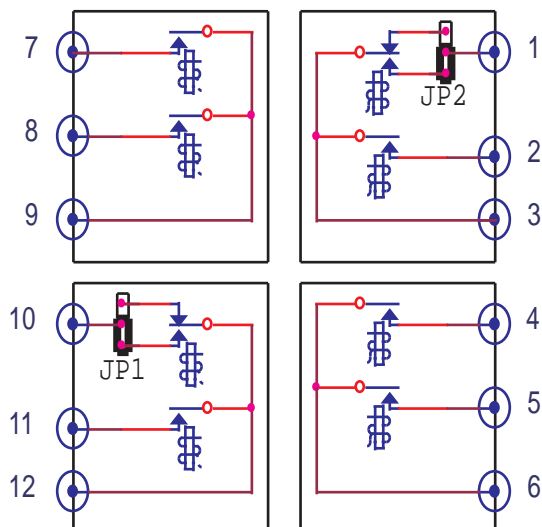
The IA-3308-U is one of the IA-33xx Tiny Modules Series, providing 8 relays, with a powerhandling capability of 2AMP@30VDC, while status of each relay is locally displayed and may be easily set by supplied software. The module is software compatible to the IA series.

SPECIFICATIONS

Control Port	
Communication Method:	USB
Default BR:	19200,8,n,1
Relay Output:	
Relay Type:	SPSTx6, SPDTx2
Contact Rating:	2A @ 30VDC
Relay ON Time:	5 mS
Relay OFF Time:	5mS
Channels:	8

GENERAL	
Supply Voltage:	USB Powered
Module size:	110x52x20
Weight:	85 gr

WIRING DIAGRAM



ORDERING

- IA-3308-U
- 8 Relays
- USB Powered and Controlled Module
- USB cable included