

IA-3304-U

4-ch SPST Relays
4-ch Isolated Digital Inputs
USB Powered & controlled

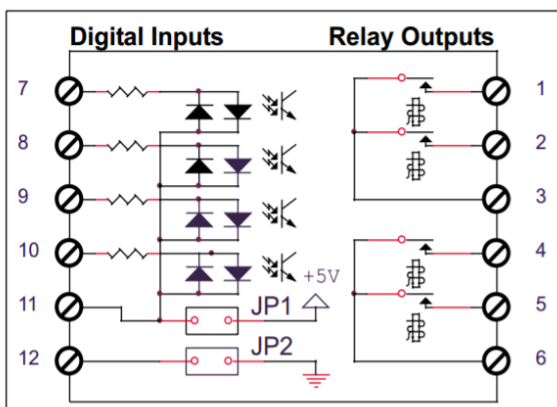
IA Intelligent Appliance
For Smart Solutions...



Introduction

The IA-3304-U is one of the Industrial IA-33XX Tiny modules series with 4 opto-isolated Digital Inputs, which may be used as non-isolated inputs as well, 4 SPST Relays output and dry contact input. The common line is shared between each 2 relays, to ease the wiring efforts. The IA-3304-U Baud Rate range is 1200 to 230400, and can be easily set through a software command. A built in Unique Software ID helps logistic tracking as well as Software Sales Control. Input type (Isolated or Non-Isolated), is selected by an internal jumper. Status of each Input and Output is locally displayed and may be easily set by the supplied software. The module is software compatible to the IA-series. The software support package includes DOT.net Library, Open Source software examples and Configuration and Operation utilities for fast software implementation.

Wiring Diagram



Features

- 4-ch Relay 2Amp @ 30VDC
- 4-ch Isolated Digital Input
- Dry-Contact Inputs
- USB Powered and Controlled
- Auto Report ready
- Easy Operated
- IA Series compatible
- DIN-Rail Mounted

Specifications

Relays

Channels	4
Contact current	2 Amp @ 30 VDC
Contact method	SPST
Relay ON time	5mS
Relay OFF time	5mS

Isolated Digital Inputs

Channels	4
Voltage Range	5-30VDC
Isolation	Optic

Communication

USB Version	2.0
Baud Rate Range	1200 – 230400
Default Settings	19200, 8, n, 1
Connector	USB

General

Supply Voltage	USB Powered
Operating temperature	0~60°C
Storage temperature	-30~80°C
Mounting	Din-Rail
Dimensions	110x52x20 mm
Weight	85 gr

Ordering Information

IA-3304-U	4 Relays, 4 Digital Inputs, USB powered & Controlled Module. 1m USB cable included.
------------------	---

